

MULTI VOLTAGE LED WORKLAMPS

MAGNETIC RECHARGEABLE LED WORKLAMP



CURTIS



DESCRIPTION

Heavy duty, rechargeable battery powered worklamp combines mobility and high performance in a compact design. High intensity LED flood beam means low operating costs and high efficiency.

APPLICATION

This worklamp can be used in any application and is ideal for use by service engineers in any industry.

FEATURES

- 9 x 1W LEDs (white and amber) provide wide flood beam.
- Small footprint.
- Carry handle, magnetic base and rechargeable battery.
- Four operating modes: 100% intensity white, 50% intensity white, SOS flash amber, and white.
- Supplied with cigarette lighter charger and AC charging cable.

SPECIFICATIONS

- 12–24 VDC.
- Battery life: 4 hours discharge/ 4 hours recharge.
- 9 LEDs.

UK PART NUMBER

18438450 – Magnetic Worklamp

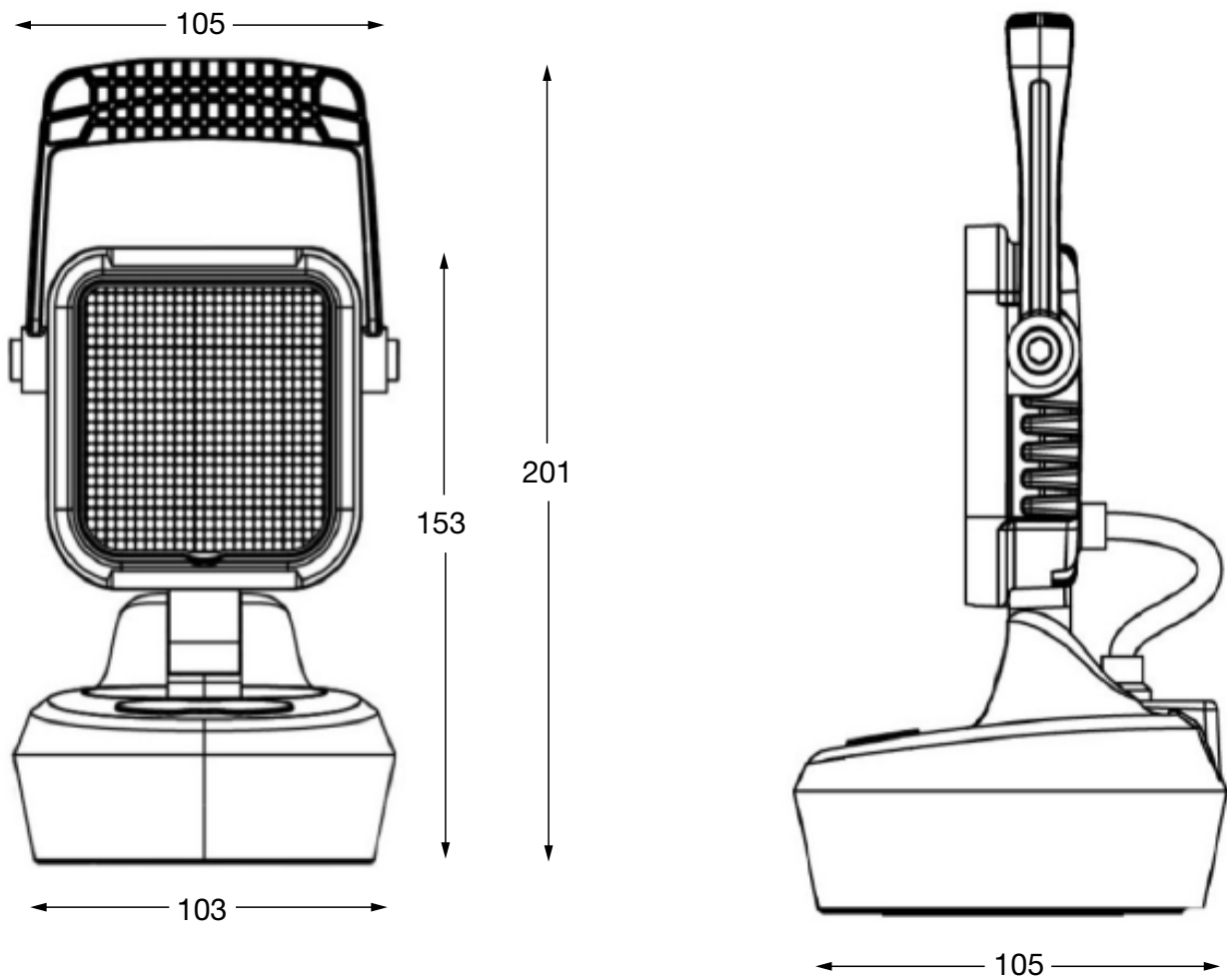
CURTIS INSTRUMENTS, (UK) LTD.
5 UPPER PRIORY STREET
NORTHAMPTON NN1 2PT, ENGLAND
TEL 44 (0) 1604-629755
FAX 44 (0) 1604-629876

MULTI VOLTAGE LED WORKLAMP

MODEL CHART

PART NUMBER	MODEL	LUMINOUS FLUX LM	POWER W	VOLTAGE RANGE	CURRENT (AMPS)	
					12V	24V
18438450	Magnetic Rechargeable W/Lamp	850	9	12-24 VDC	1	0.5

DIMENSIONS mm



WARRANTY Two year limited warranty from time of delivery, excluding battery.

The Curtis Difference 
 You feel it when you drive it