

BEACONS

MULTI-VOLTAGE LED BEACON



CURTIS



FEATURES

- Bright and effective quad mode flash
- Long life LEDs improve reliability and lower costs.
- Reverse polarity protection
- Universal 3 bolt fixing for standard units
- 12 SMD LEDs

SPECIFICATIONS

- Voltage Range: 12 to 80 VDC
- Dimensions: 130mm x 95mm
- Fixing: Standard 3 bolt fixing
- Approvals: ECE R10 Approved
- IP Rating: IP65

DESCRIPTION

Compact, multi-voltage general purpose LED beacon with low power consumption and high reliability.

APPLICATION

This beacon is suitable for a variety of industrial vehicles, such as floor care, aerial lift, ground support, lift trucks, off-road vehicles and industrial applications

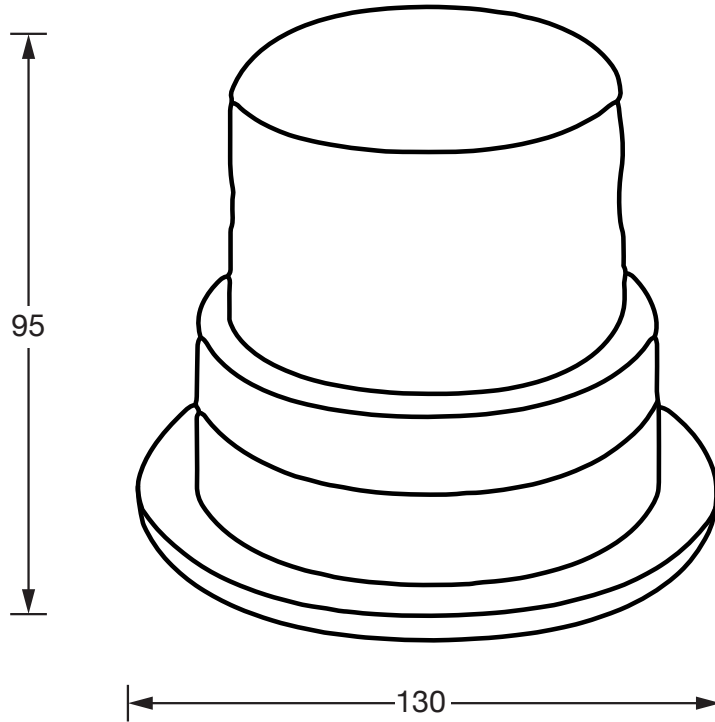
UK PART NUMBER

18435373 – 12-80V LED Amber Beacon

CURTIS INSTRUMENTS, (UK) LTD.
5 UPPER PRIORY STREET
NORTHAMPTON NN1 2PT, ENGLAND
TEL 44 (0) 1604-629755
FAX 44 (0) 1604-629876

MULTI-VOLTAGE LED BEACON

DIMENSIONS mm



WARRANTY Two year limited warranty from time of delivery.