

## MULTI VOLTAGE LED WORKLAMPS

### LED WORKLAMP



**CURTIS**



#### FEATURES

- 1000 Lumen light intensity
- 5 x 3W LEDs
- Flood Beam Pattern
- High quality aluminium housing
- Ultra long life span: 30,000 operating hours (est)

#### SPECIFICATIONS

- 110mm x 110mm x 40mm (w/h/d)
- Operating temperature: -40°C to +50°C
- IP67 rated
- 5 x 3W LEDs

#### UK PART NUMBER

18438355 — 12-24V

18438376 — 12-80V

#### WARRANTY

Two year limited warranty from time of delivery.

#### DESCRIPTION

This low power draw LED worklamp outputs an amazing 1000 lumens, providing incredible brightness. The durability and long, maintenance-free life of this lamp make it an affordable and reliable addition to your vehicle.

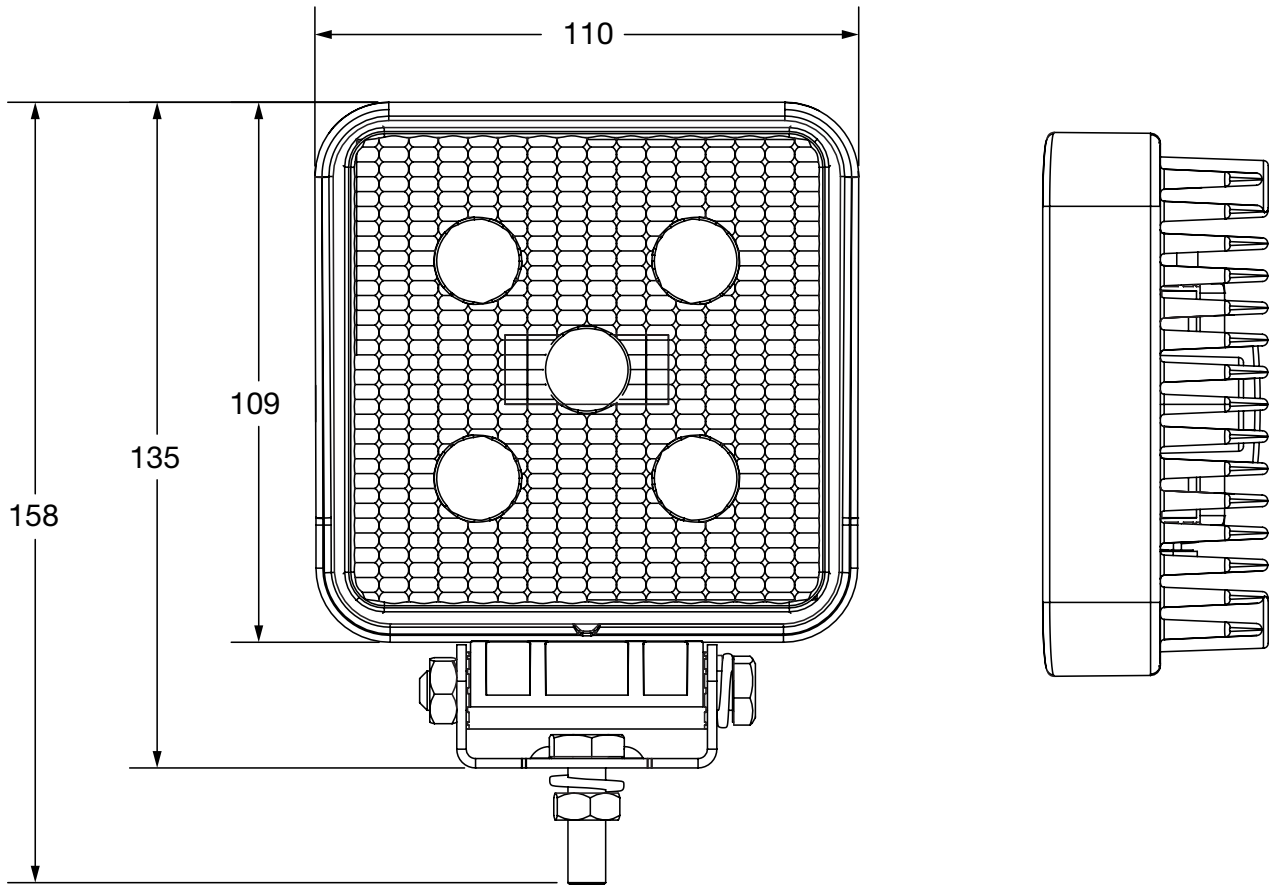
#### APPLICATION

This worklamp is designed for use in the materials handling market and will work with fully charged lead acid traction batteries.

**CURTIS INSTRUMENTS, (UK) LTD.**  
5 UPPER PRIORY STREET  
NORTHAMPTON NN1 2PT, ENGLAND  
TEL 44 (0) 1604-629755  
FAX 44 (0) 1604-629876

# LED WORKLAMP

## DIMENSIONS mm



## LIGHT PATTERN

