

## BEACONS

### MULTI-VOLTAGE (SLIMLINE) LED BEACON



CURTIS



#### DESCRIPTION

Compact, multi-voltage general purpose LED beacon with low power consumption and high reliability.

#### APPLICATION

This beacon is suitable for a variety of industrial vehicles, such as floor care, aerial lift, ground support, lift trucks, off-road vehicles and industrial applications.

#### FEATURES

- High impact polycarbonate lens.
- Long life LEDs improve reliability and lower costs.
- 2 bolt fixing for standard units.
- Hexagonal base.
- 30 SMD LEDs.

#### SPECIFICATIONS

- Voltage Range: 12 to 80 VDC.
- Dimensions: 130 mm x 100 mm.
- Fixing: Standard 2 bolt fixing.
- Approvals: ECE R10 Approved.
- IP Rating: IP65.

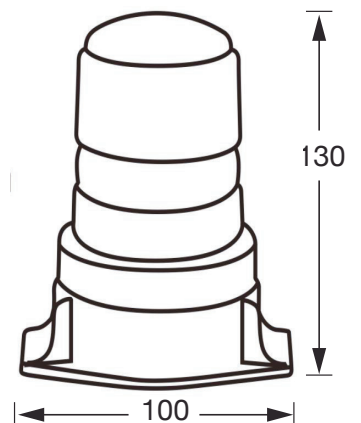
#### UK PART NUMBER

18435371 — 12–80V LED Amber Beacon.

#### WARRANTY

Two year limited warranty from time of delivery.

#### DIMENSIONS mm



**CURTIS INSTRUMENTS, (UK) LTD.**  
5 UPPER PRIORY STREET  
NORTHAMPTON NN1 2PT, ENGLAND  
TEL 44 (0) 1604-629755  
FAX 44 (0) 1604-629876

[www.curtisinst.co.uk](http://www.curtisinst.co.uk) • [info@curtisinst.co.uk](mailto:info@curtisinst.co.uk)

