

## MULTI VOLTAGE LED WORKLAMP

## MAGNETIC RECHARGEABLE LED WORKLAMP



**CURTIS**



### DESCRIPTION

Heavy duty, rechargeable battery powered worklamp combines mobility and high performance in a compact design. High intensity LED flood beam means low operating costs and high efficiency.

### APPLICATION

This worklamp can be used in any application and is ideal for use by service engineers in any industry.

### FEATURES

- 5 x 3W LEDs provide 850 lumen wide flood beam.
- Small footprint.
- Magnetic base.
- Three operating modes: 100% intensity, 30% intensity and SOS flash function.
- High quality aluminium heatsink housing and polycarbonate lens.
- Stainless steel mounting bracket supplied.
- Rechargeable Lithium Battery with 3–4 hour run time, recharge <7 hours.
- Supplied with cigarette lighter charger, optional AC charger also available.

### SPECIFICATIONS

- 195mm (H) x 100mm (D) x 115mm (W).
- 12–24 VDC.
- IP67 rated.
- Battery life: 500 charge/discharge cycles.
- Aluminium case, PMMA lens.
- Operating temperature: –30° C to + 55° C.
- Weight: 780g (approx).
- **CE** Recognised.

### UK PART NUMBER

18438368 – Magnetic Worklamp  
18438381 – UK Mains Adaptor

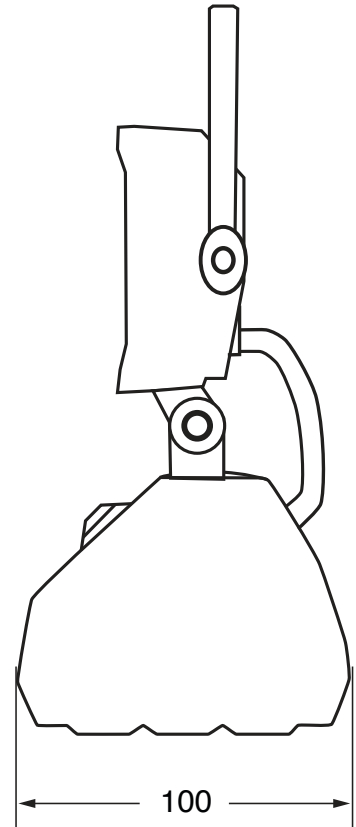
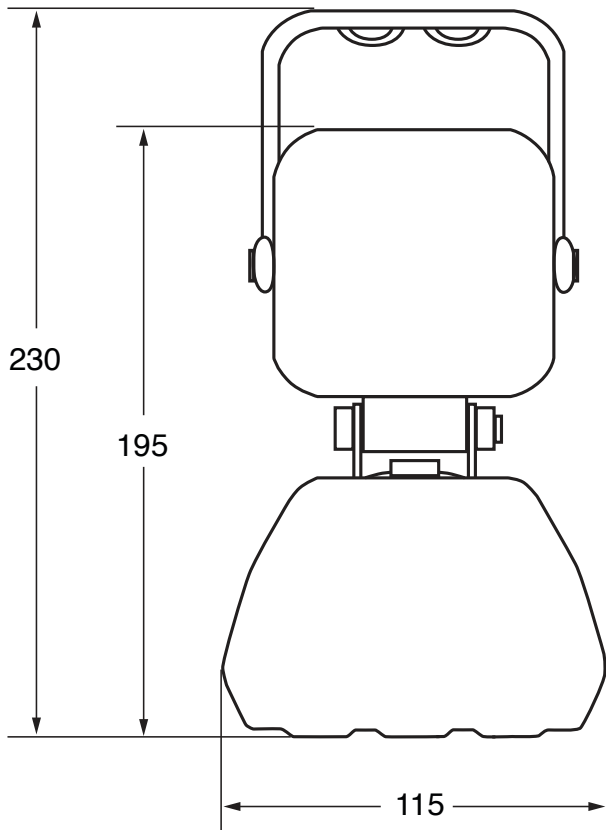
**CURTIS INSTRUMENTS, (UK) LTD.**  
5 UPPER PRIORY STREET  
NORTHAMPTON NN1 2PT, ENGLAND  
TEL 44 (0) 1604-629755  
FAX 44 (0) 1604-629876

# MULTI VOLTAGE LED WORKLAMP

## MODEL CHART

PART NUMBER	MODEL	LUMINOUS FLUX LM	POWER W	VOLTAGE RANGE	CURRENT (AMPS)	
					12V	24V
18438368	W/Lamp LED W Square 12-24V Mag Recharge	850	15	12-24 VDC	1	0.5
18438381	Mains Adaptor					

## DIMENSIONS mm



**WARRANTY** Two year limited warranty from time of delivery.

The Curtis Difference   
 You feel it when you drive it